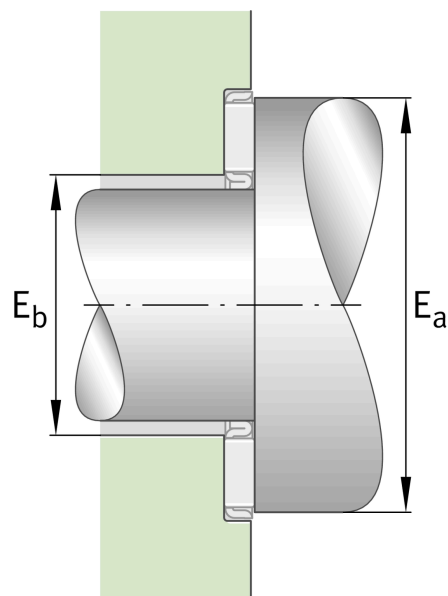
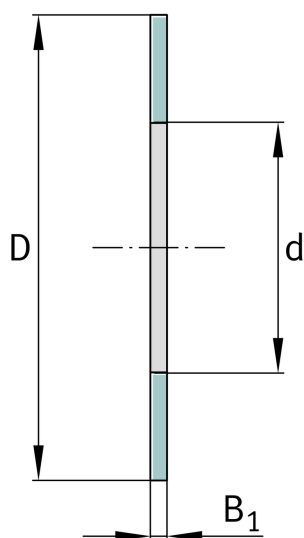
**AS3047**

Axial bearing washer

Schaeffler ID:
0000195420000

Axial bearing washers, suitable for AXK
and K811, to DIN 5405-3/ISO 303

Technical information

**Main Dimensions & Performance Data**

| | | |
|----------------|--------|---------------------------------|
| d | 30 mm | Bore diameter bearing washer |
| D | 47 mm | Outside diameter bearing washer |
| B ₁ | 1 mm | Height bearing washer |
| | 7.55 g | Weight |